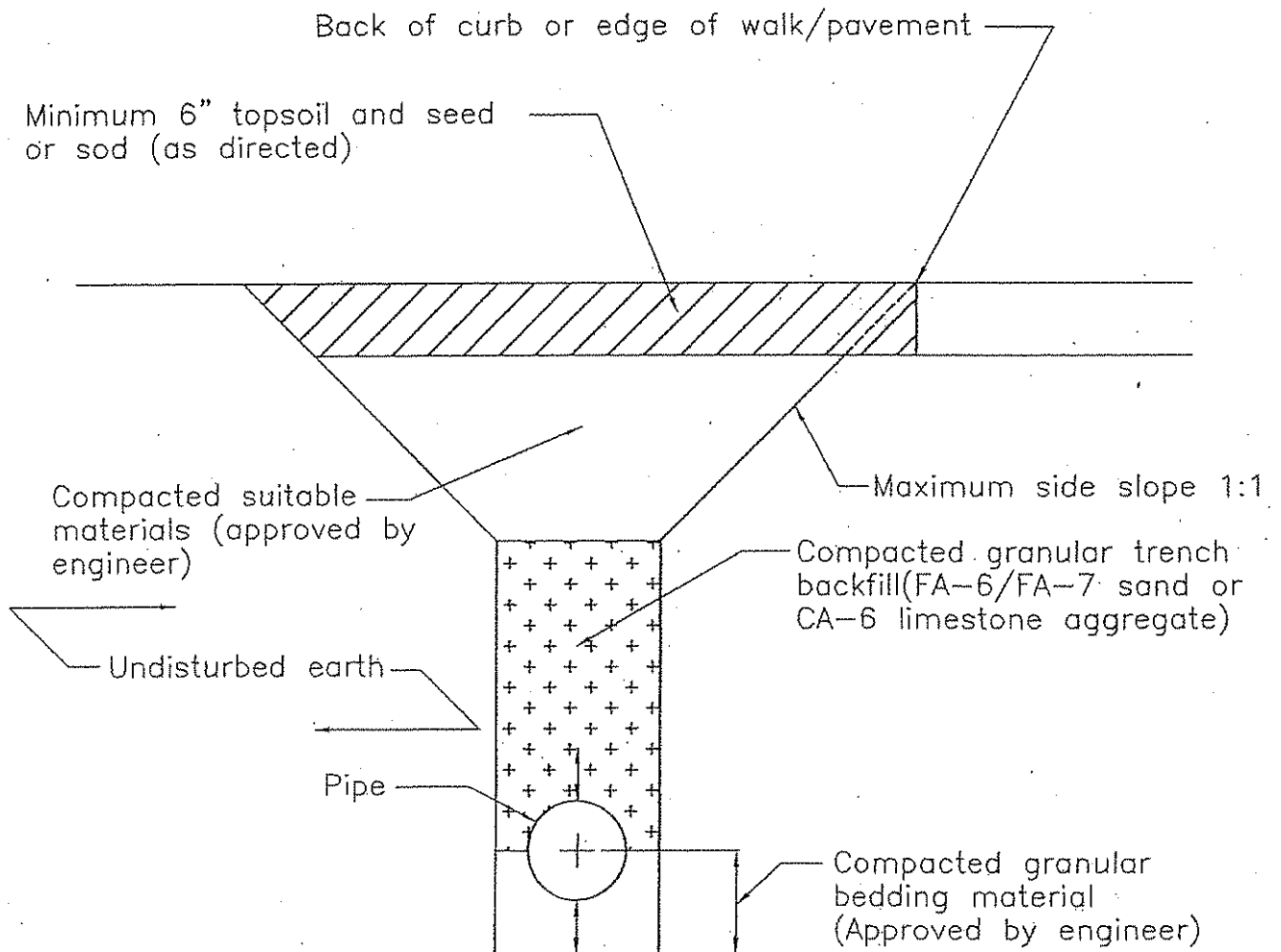
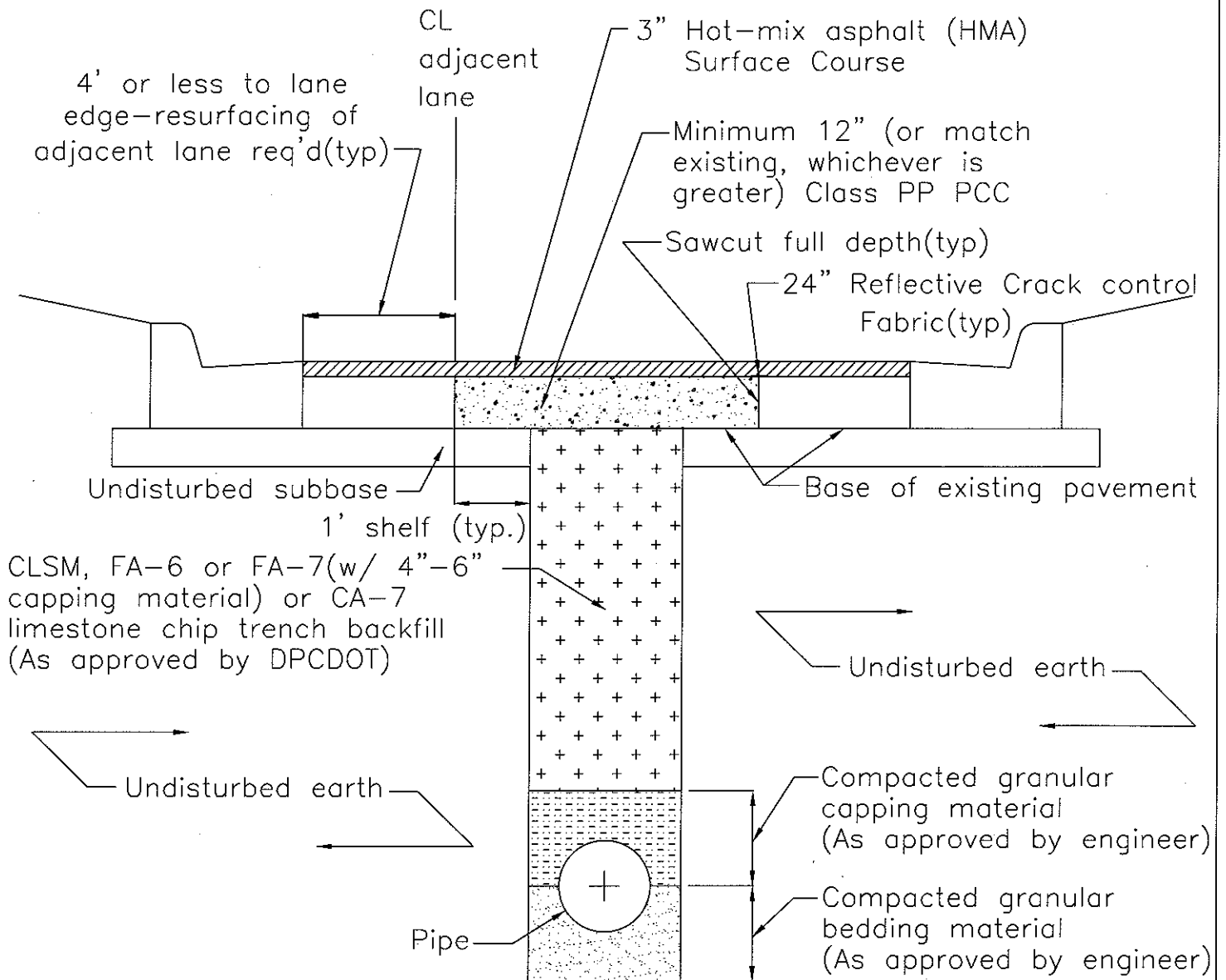


DUPAGE COUNTY DIVISION OF TRANSPORTATION  
TRENCH BACKFILL STANDARD IN NON-PAVED AREAS  
(PARKWAYS, ETC.)



# DUPAGE COUNTY DIVISION OF TRANSPORTATION

## TRENCH BACKFILL STANDARD IN PAVED AREAS



Notes:

1. All materials per IDOT's "Standard Specifications for Road & Bridge Construction" (latest edition) and "Supplemental Recurring Special Provisions" (latest edition).
2. Replace all pavement markings, striping, symbols and pavement markers in kind.