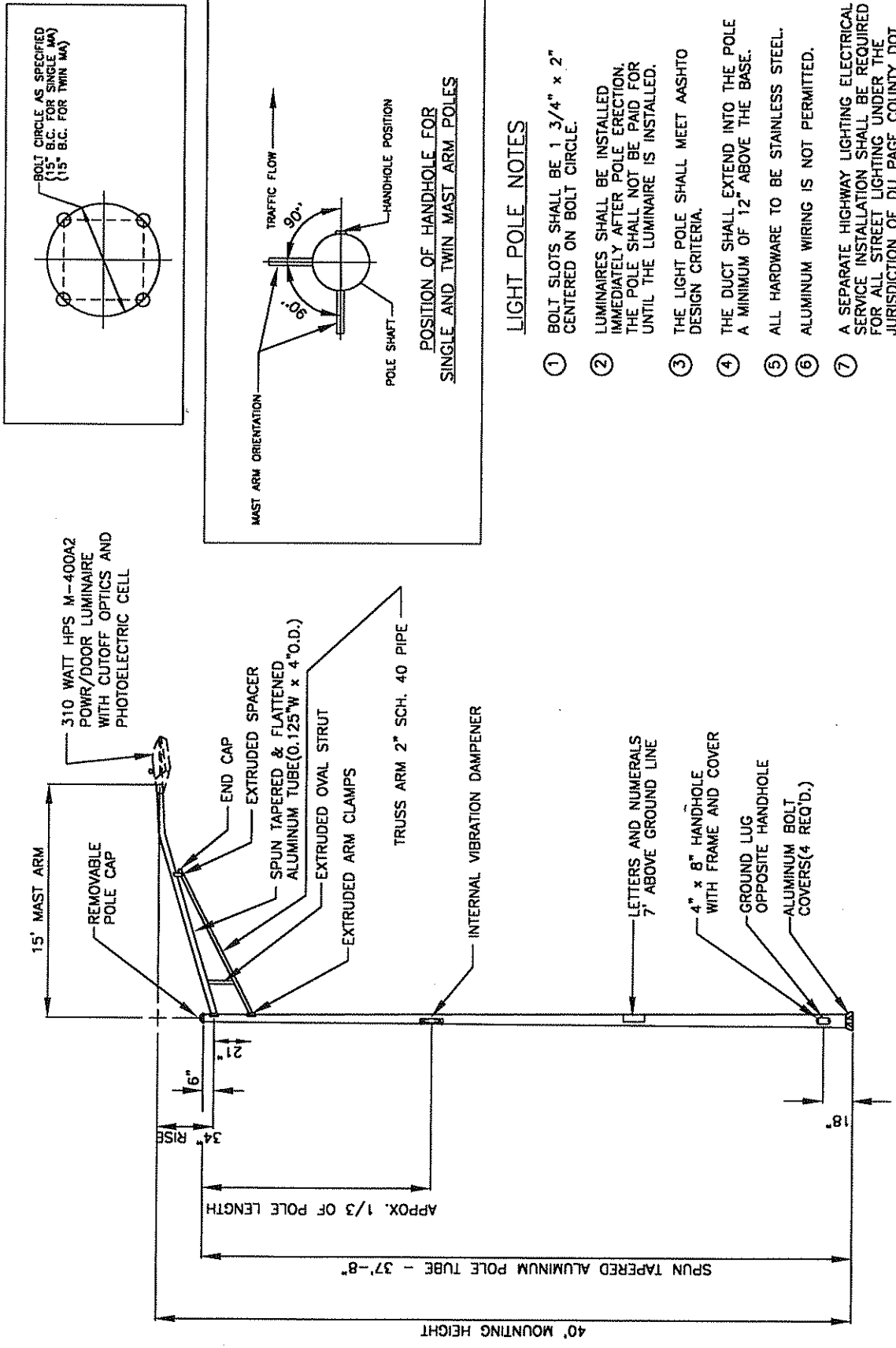


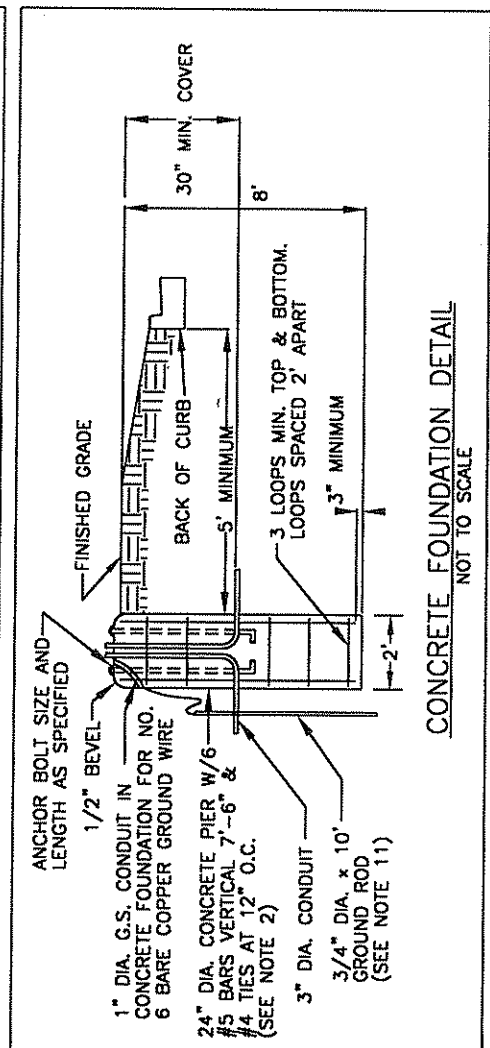
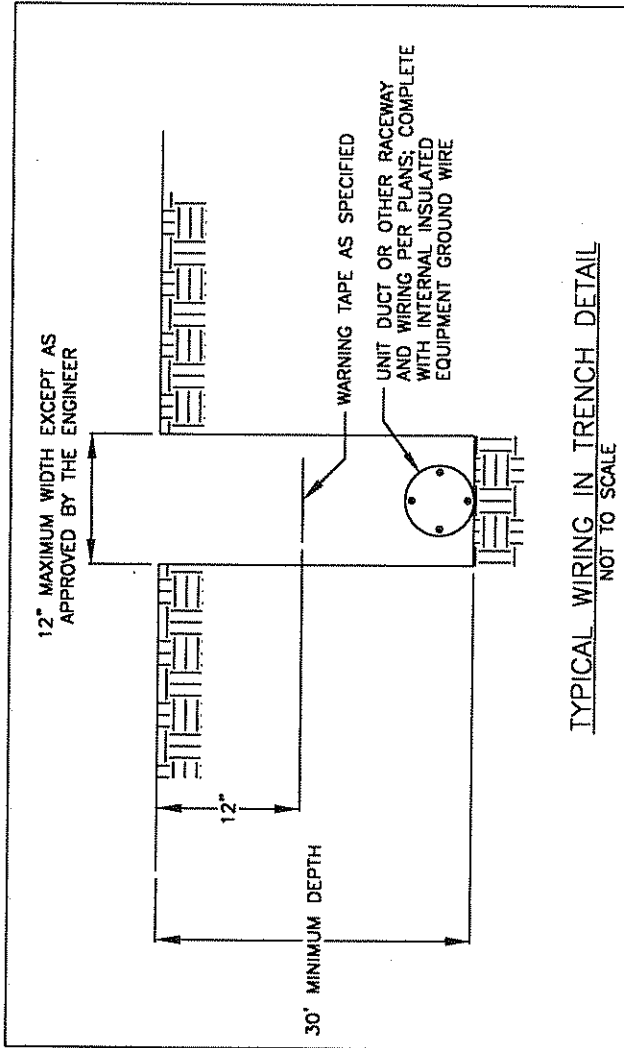
# RESIDENTIAL STREET LIGHT DETAIL



## LIGHT POLE NOTES

- ① BOLT SLOTS SHALL BE 1 3/4" x 2" CENTERED ON BOLT CIRCLE.
- ② LUMINAIRES SHALL BE INSTALLED IMMEDIATELY AFTER POLE ERECTION. THE POLE SHALL NOT BE PAID FOR UNTIL THE LUMINAIRE IS INSTALLED.
- ③ THE LIGHT POLE SHALL MEET AASHTO DESIGN CRITERIA.
- ④ THE DUCT SHALL EXTEND INTO THE POLE A MINIMUM OF 12" ABOVE THE BASE.
- ⑤ ALL HARDWARE TO BE STAINLESS STEEL.
- ⑥ ALUMINUM WIRING IS NOT PERMITTED.
- ⑦ A SEPARATE HIGHWAY LIGHTING ELECTRICAL SERVICE INSTALLATION SHALL BE REQUIRED FOR ALL STREET LIGHTING UNDER THE JURISDICTION OF DU PAGE COUNTY DOT.

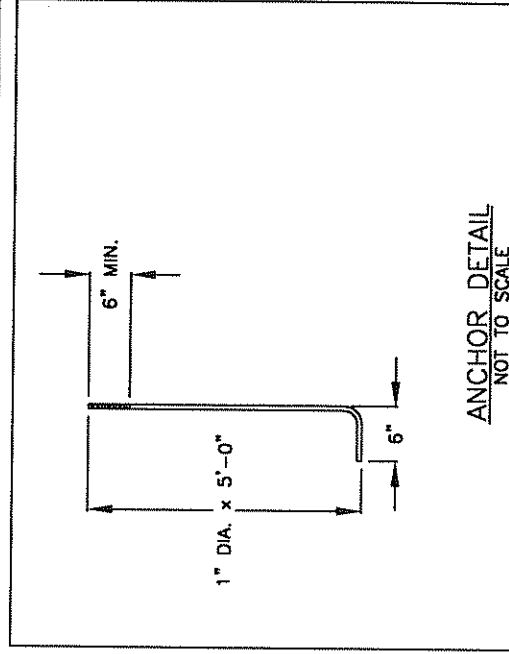
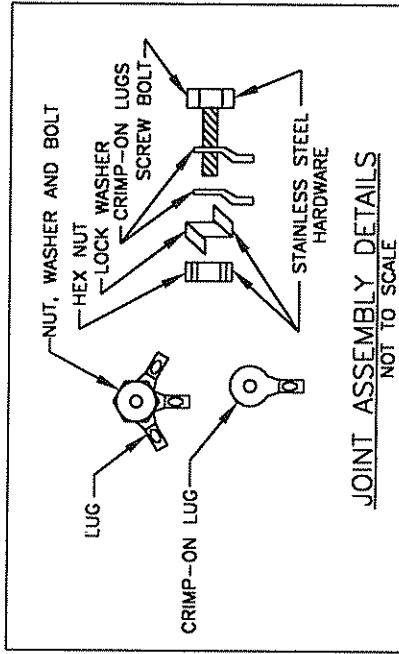
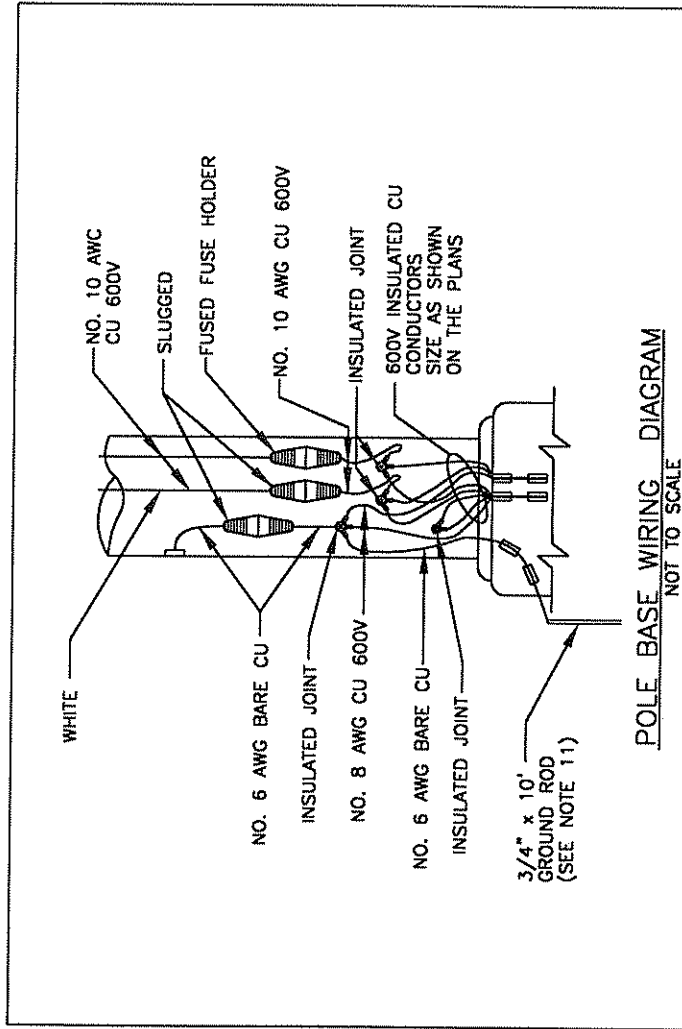
# RESIDENTIAL STREET LIGHT DETAIL



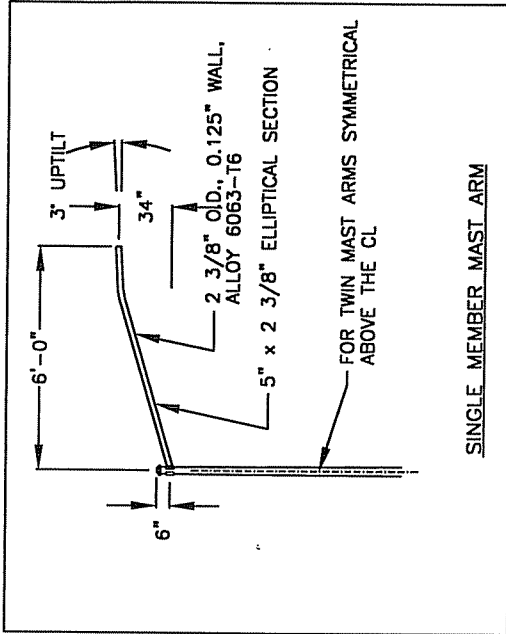
## FOUNDATION NOTES

- ① EXCAVATION OF THE POLE FOUNDATION SHALL BE MADE WITH AN AUGER, 24" IN DIAMETER.
- ② THE CONTRACTOR SHALL USE #4 SPIRAL 6" PITCH OR, AT HIS OPTION MAY SUBSTITUTE #4 TIES AT 12" O/C.
- ③ THE ANCHOR SHALL BE A HOOK TYPE BOLT. COLD BENDING OF THE HOOK WILL NOT BE ALLOWED.
- ④ THE ANCHOR BOLTS AND RACEWAYS SHALL BE PROPERLY SECURED IN PLACE PRIOR TO PLACEMENT OF CONCRETE.
- ⑤ THE ENTIRE LENGTH OF THE ANCHOR BOLTS, AS WELL AS THE NUTS AND WASHERS, SHALL BE HOT DIP GALVANIZED IN ACCORDANCE WITH THE REQUIREMENTS OF ASTM DESIGNATION A 153.
- ⑥ CONCRETE SHALL BE CLASS SI CONCRETE FOUNDATION SHALL BE CURED FOR TEN (10) DAYS BEFORE THE LIGHT IS ERECTED.
- ⑦ THE CABLE TRENCH SHALL BE BACKFILLED AND COMPACTED BEFORE THE LIGHT IS ERECTED.
- ⑧ ANCHOR BOLTS SHALL PROJECT 2 3/4" ABOVE THE TOP OF THE FOUNDATION. THE CONTRACTOR SHALL COORDINATE THE EXTENSION OF THE ANCHOR BOLTS ABOVE THE TOP OF FOUNDATION WITH THE MANUFACTURER'S REQUIREMENTS FOR THE BREAKAWAY DEVICE.
- ⑨ RACEWAYS SHALL PROJECT 1" ABOVE THE TOP OF THE FOUNDATION.
- ⑩ CADCWELD NO. 6 BARE COPPER GROUND CABLE TO GROUND ROD.

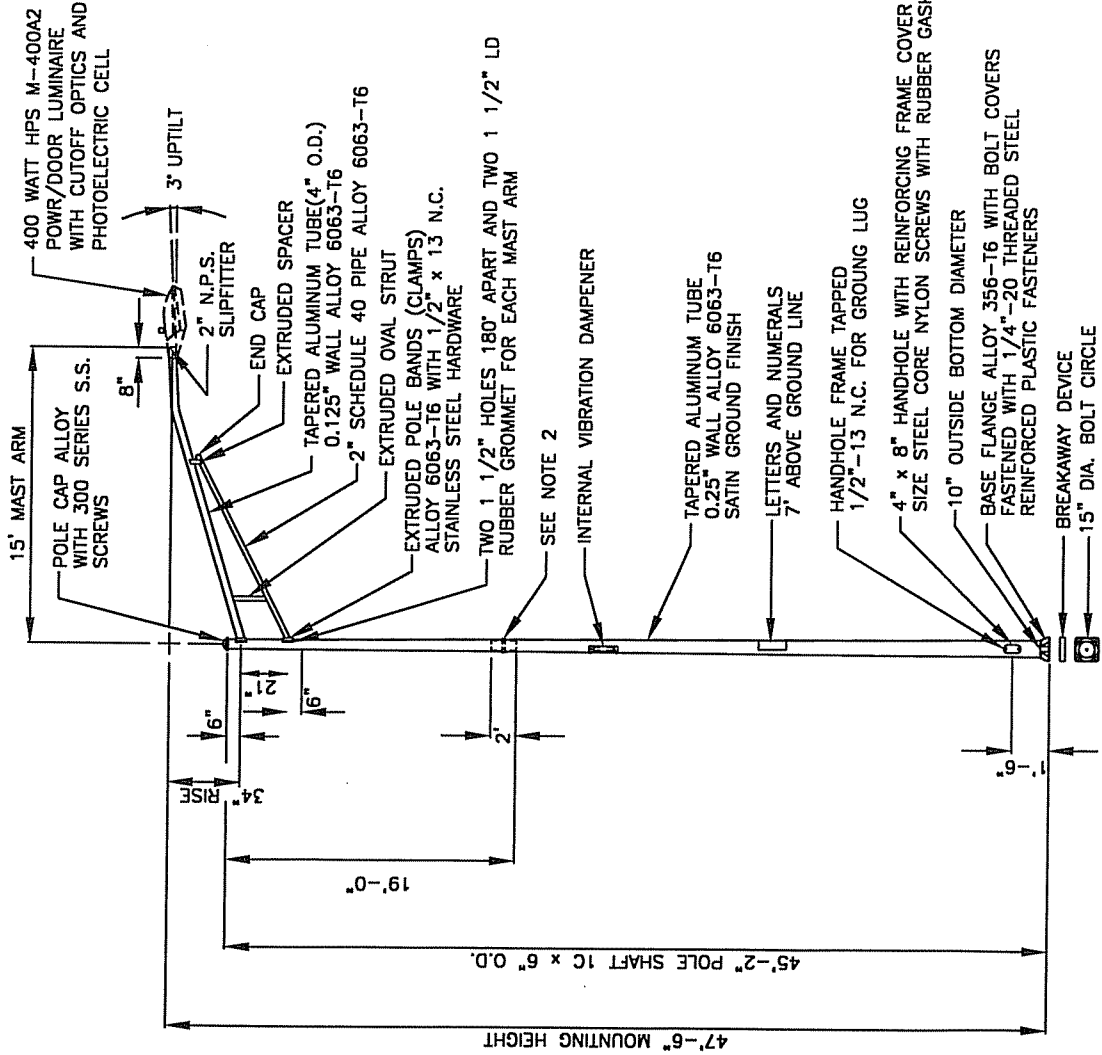
# RESIDENTIAL STREET LIGHT DETAIL



# COMMERCIAL STREET LIGHT LIGHT DETAIL



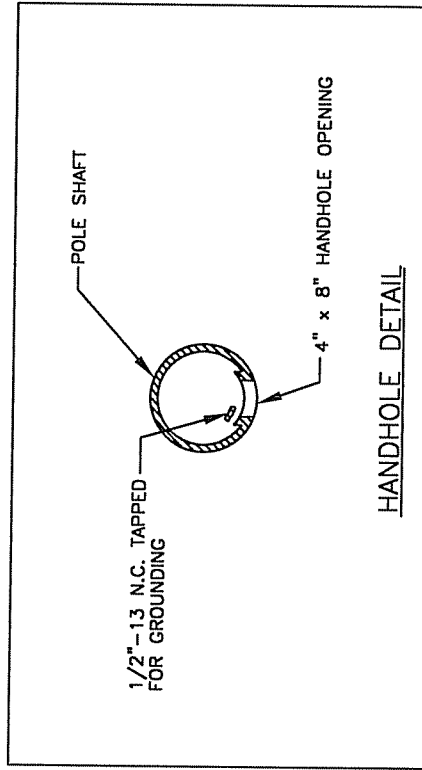
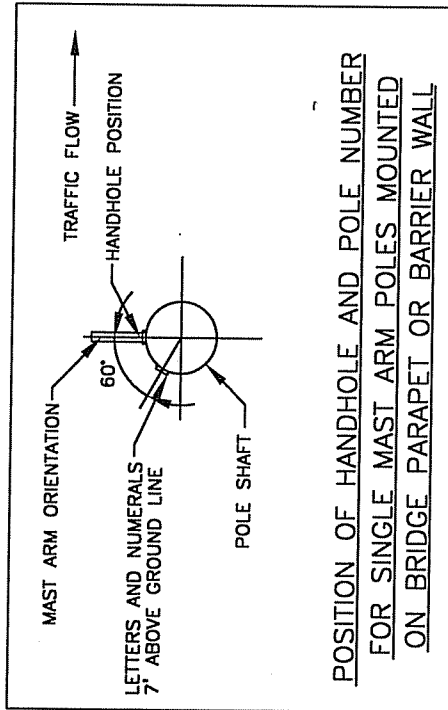
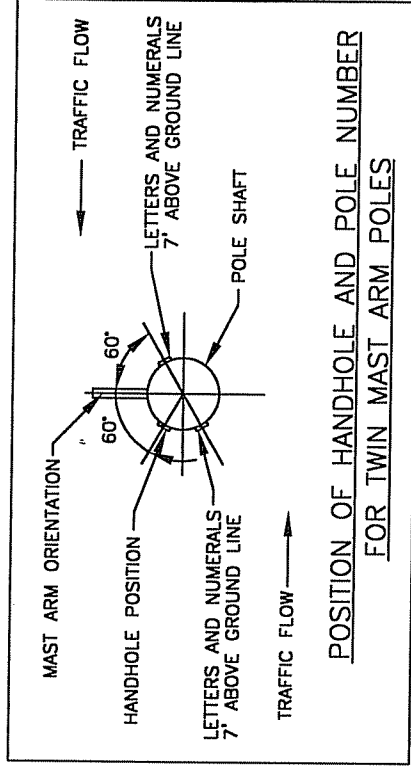
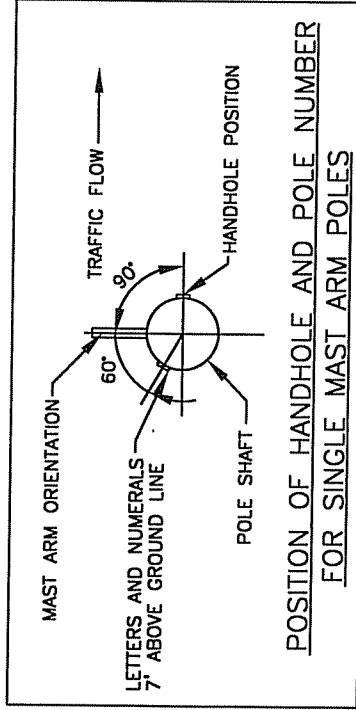
SINGLE MEMBER MAST ARM



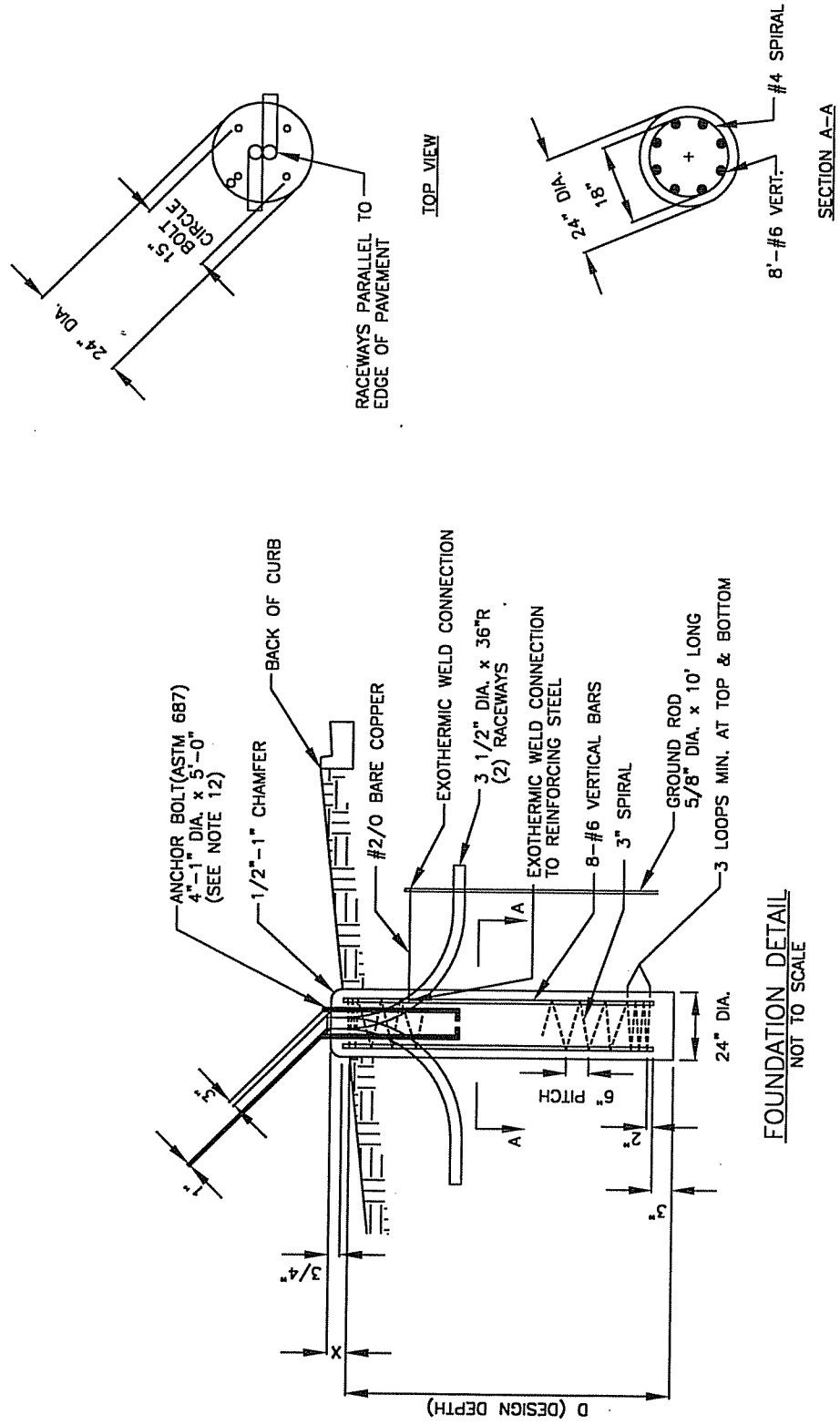
## LIGHT POLE NOTES

- ① BOLT SLOTS SHALL BE 1 3/4" x 2" CENTERED ON BOLT CIRCLE.
- ② TWO PIECE SHAFT WILL BE MATCH MARKED AND INTERCHANGEABLE BETWEEN DIFFERENT UNITS. STUD BOLT WILL BE 5/8" DIA. WITH NUT, FLAT WASHER, AND LOCK WASHER. THERE WILL BE NO THREADS ON THE BOLT INSIDE THE POLE SHAFT.
- ③ LUMINAIRES SHALL BE INSTALLED AS SOON AS POSSIBLE AFTER POLE ERECTION. THE POLE SHALL NOT BE PAID FOR UNTIL THE LUMINAIRE IS INSTALLED.
- ④ THE LIGHT POLE SHALL MEET AASHTO DESIGN CRITERIA.
- ⑤ THE DUCT SHALL EXTEND INTO THE POLE A MINIMUM OF 12" ABOVE THE BASE.
- ⑥ ALUMINUM WIRING IS NOT PERMITTED.
- ⑦ A SEPARATE HIGHWAY LIGHTING ELECTRICAL SERVICE INSTALLATION SHALL BE REQUIRED FOR ALL STREET LIGHTING UNDER THE JURISDICTION OF DU PAGE COUNTY DOT.

# COMMERCIAL STREET LIGHT DETAIL



# COMMERCIAL STREET LIGHT DETAIL



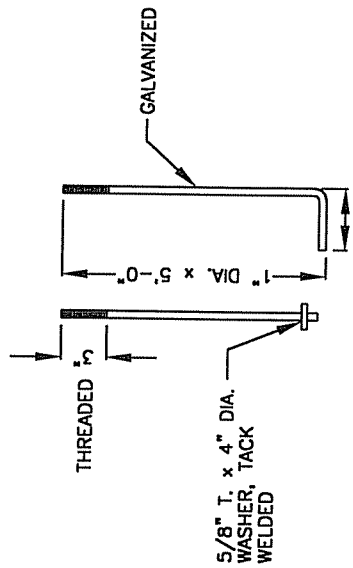
# COMMERCIAL STREET LIGHT DETAIL

FOUNDATION DESIGN TABLE

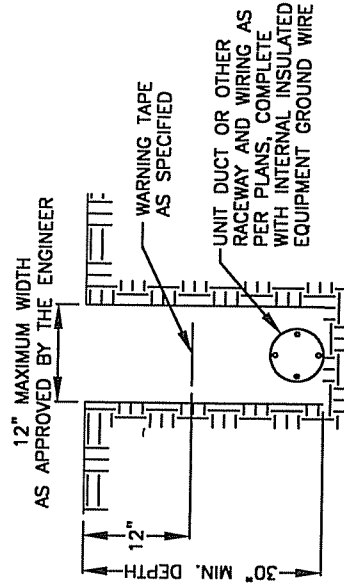
TYPE OF SOIL	DESIGN DEPTH OF FOUNDATION		REINFORCEMENT IN FOUNDATION			
	SINGLE ARM D	TWIN ARM D	VERT BARS	SINGLE ARM SPIRAL	VERT BARS	TWIN ARM SPIRAL
SOFT CLAY	13'-0"	15'-0"	8-#6 x 12'-6"	#3 x 122'	8-#6 x 14'-3"	#3 x 141'
MEDIUM CLAY	9'-6"	10'-9"	8-#6 x 9'-0"	#3 x 90'	8-#6 x 10'-0"	#3 x 100'
STIFF CLAY	7'-0"	8'-0"	8-#6 x 6'-6"	#3 x 66'	8-#6 x 7'-6"	#3 x 76'
LOOSE SAND	9'-0"	10'-0"	8-#6 x 8'-6"	#3 x 85'	8-#6 x 9'-6"	#3 x 94'
MEDIUM SAND	8'-3"	9'-0"	8-#6 x 8'-0"	#3 x 78'	8-#6 x 8'-6"	#3 x 85'
DENSE SAND	7'-9"	9'-0"	8-#6 x 7'-6"	#3 x 73'	8-#6 x 8'-6"	#3 x 85'
ROCK OR SOLIDIFIED SLAG	5'-0"	5'-0"	NONE	NONE	NONE	NONE

## LIGHT POLE NOTES

- ① THE ENGINEER SHALL DETERMINE THE CLASS OF SOIL DURING EXCAVATION AND SELECT THE DESIGN DEPTH OF FOUNDATION FROM THE DESIGN TABLE.
- ② THE DESIGN DEPTH "D" OF FOUNDATION SHALL BE INCREASED BY VALUE OF "X" ACCORDING TO FIELD CONDITIONS.
- ③ EXCAVATION OF THE POLE FOUNDATION SHALL BE MADE WITH AN AUGER, 24" OR 30" IN DIAMETER.
- ④ THE CONTRACTOR SHALL USE #3 SPIRAL AT 6" PITCH OR AT HIS OPTION MAY SUBSTITUTE #3 TIES AT 12" O/C.
- ⑤ THE ANCHOR SHALL BE A TACK WELDED TYPE BOLT OR HOOK TYPE BOLT. COLD BENDING OF THE HOOK BOLT WILL NOT BE ALLOWED.
- ⑥ THE ANCHOR BOLTS AND RACEWAYS SHALL BE PROPERLY SECURED IN PLACE BEFORE THE CONCRETE IS PLACED IN THE FORM.
- ⑦ THE ENTIRE LENGTH OF THE ANCHOR BOLTS AS WELL AS THE NUTS AND WASHERS SHALL BE HOT DIP GALVANIZED IN ACCORDANCE WITH THE REQUIREMENTS OF ASTM DESIGNATION A153.
- ⑧ CONCRETE SHALL BE CLASS "SI". CONCRETE FOUNDATION MUST BE CURED FOR (10) TEN DAYS BEFORE THE LIGHT STANDARD IS ERECTED.
- ⑨ THE CABLE TRENCH SHALL BE BACKFILLED AND FIRMLY COMPACTED BEFORE THE LIGHT IS ERECTED.
- ⑩ ANCHOR BOLTS SHALL PROJECT 3" ABOVE THE TOP OF THE FOUNDATION. THE CONTRACTOR SHALL COORDINATE EXTENSION OF ANCHOR BOLTS ABOVE TOP OF FOUNDATION WITH THE BREAKAWAY DEVICE MANUFACTURER'S REQUIREMENTS.
- ⑪ RACEWAYS SHALL PROJECT 1" ABOVE THE TOP OF THE FOUNDATION.



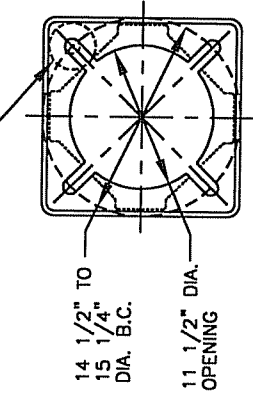
ANCHOR BOLT DETAIL



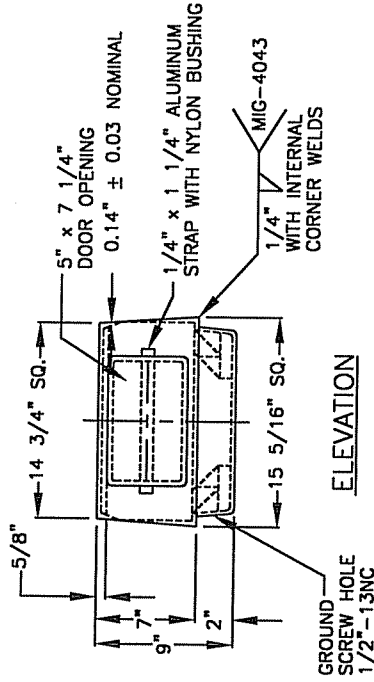
TYPICAL WIRING IN TRENCH DETAIL  
NOT TO SCALE

# COMMERCIAL STREET LIGHT DETAIL

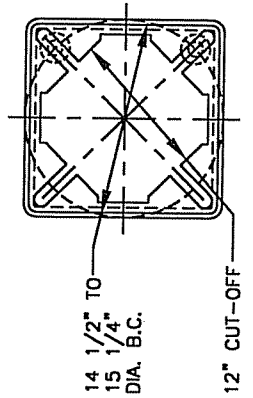
USE 2 3/4" O.D. x 1 5/16" I.D. x 1/2" THICK WASHER FOR 1 1/4" DIA. ANCHORAGE ON TOP AND BOTTOM BOLT CIRCLE



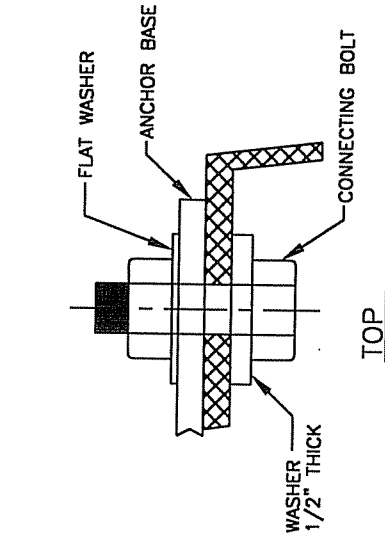
TOP VIEW



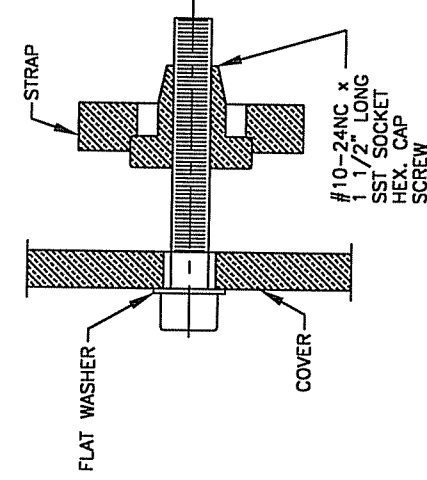
ELEVATION



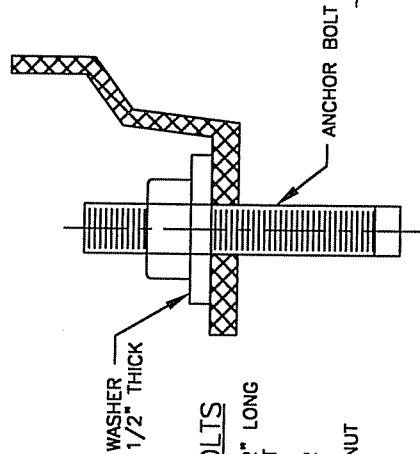
BOTTOM VIEW



TOP



DOOR SCREW



BOTTOM

CONNECTING BOLTS

- 4-1 1/4"-7NC x 4 1/2" LONG GALV. HEX. HEAD BOLT SAE. GR. 5
- 4-1 1/4" GALV. WASHER 2 3/4" O.D.
- 4-1 1/4" GALV. HEX. NUT

MATERIAL SHALL CONFORM TO ASTM DESIGNATION: B108 ALLOY 356-T6

BASE CONFORMS TO BREAKAWAY CRITERIA OF IDOT SPEC FOR R&B CONSTRUCTION ART. 1085.36

TRANSFORMER BASE DETAILS